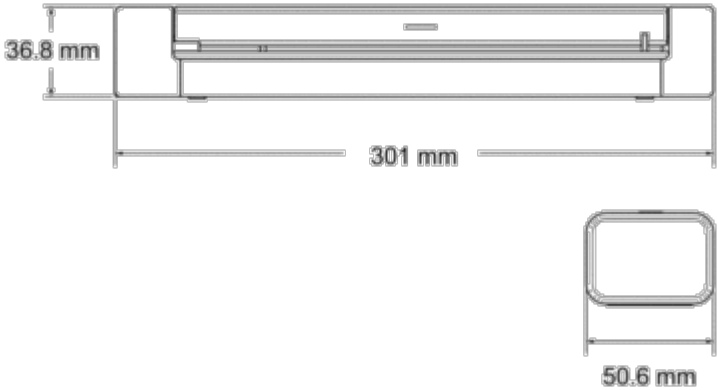
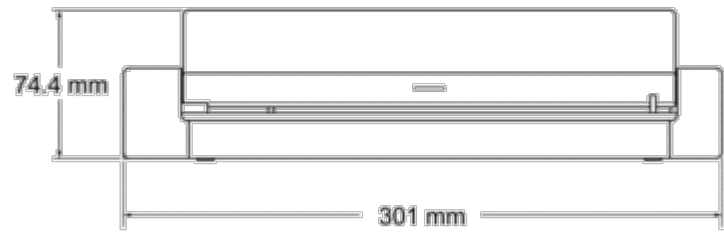
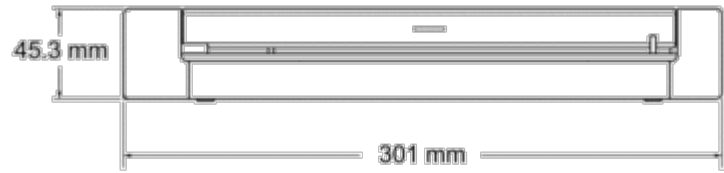
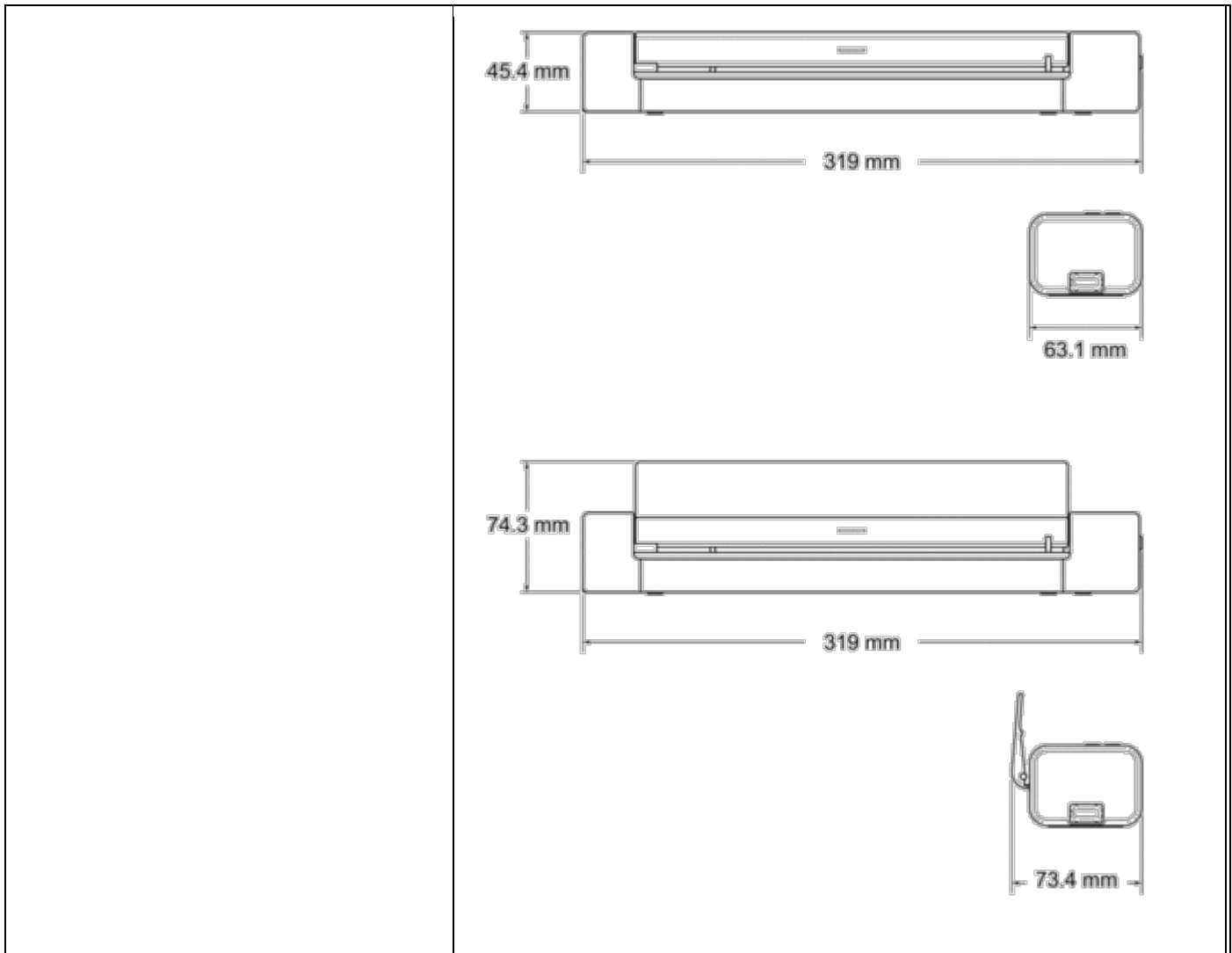


## General Specifications

|  |                 |   |  |
|--|-----------------|---|--|
| <b>Memory Capacity</b>                 | <b>Standard</b> | DSmobile DS-640: 128 MB<br>DSmobile DS-740D: 256 MB<br>DSmobile DS-940DW: 512 MB  |  |
| <b>Power Source</b>                    |                 | DSmobile DS-640/DSmobile DS-740D: USB bus-power<br>DSmobile DS-940DW: USB bus-power/rechargeable Li-ion battery                       |  |
| <b>Power Consumption <sup>*1</sup></b> |                 | <b>Scanning</b>   | DSmobile DS-640: Approx. 2.6 W<br>DSmobile DS-740D: Approx. 3.3 W<br>DSmobile DS-940DW:<br><ul style="list-style-type: none"> <li>• Approx. 4.6 W (Wi-Fi Mode)</li> <li>• Approx. 4.2 W (USB Mode)</li> </ul>                |
|  |                 | <b>Ready</b>  | DSmobile DS-640: Approx. 1.4 W<br>DSmobile DS-740D: Approx. 1.4 W<br>DSmobile DS-940DW <sup>*2</sup> :<br><ul style="list-style-type: none"> <li>• Approx. 2.3 W (Wi-Fi Mode)</li> <li>• Approx. 1.6 W (USB Mode)</li> </ul> |
|  |                 | <b>Power Down</b>   | DSmobile DS-640: Approx. 0.01 W<br>DSmobile DS-740D: Approx. 0.01 W<br>DSmobile DS-940DW <sup>*2</sup> : Approx. 0.11 W  |
| <b>Dimensions</b>                      |                 | <p>DSmobile DS-640:</p>  <p>DSmobile DS-740D:</p> |  |



DSmobile DS-940DW:



|                    |                  |   |
|--------------------|------------------|---|
| <b>Weights</b>     |                  | DSmobile DS-640: Approx. 466 g<br>DSmobile DS-740D: Approx. 646 g<br>DSmobile DS-940DW: Approx. 699 g |
| <b>Temperature</b> | <b>Operating</b> | 5°C to 35°C <sup>*3</sup>   |
|                    | <b>Storage</b>   | -20°C to 60°C   |
| <b>Humidity</b>    | <b>Operating</b> | 20% to 80%  |
|                    | <b>Storage</b>   | 10% to 90%  |

\*1 Measured when the machine is connected to the USB interface.

\*2 (DSmobile DS-940DW) Measured when the rechargeable Li-ion battery is fully charged.

\*3 (DSmobile DS-940DW) Charging stops when the temperature of the specifications is exceeded.

**Document Specifications**

|                      |  |
|----------------------|--|
| <b>Paper Type</b>    | Photo, Paper, Card (embossed), Business Card, Receipt  |
| <b>Document Size</b> | DSmobile DS-640: <ul style="list-style-type: none"> <li>86.4 mm x 50.8 mm to 1828.8 mm x 215.9 mm</li> </ul> DSmobile DS-740D/DSmobile DS-940DW: <ul style="list-style-type: none"> <li>Single-sided Scan<br/>86.4 mm x 50.8 mm to 1828.8 mm x 215.9 mm</li> <li>2-sided Scan</li> </ul> |

|  |   |
|--|---|
|  | <p>86.4 mm x 50.8 mm to 406.48 mm x 215.9 mm</p> <ul style="list-style-type: none"> <li>• Output Guide<br/>105 mm x 74 mm to 297 mm x 215.9 mm</li> </ul> |
|--|---|

### Scanner Specifications

|                          |  |  |
|--------------------------|--|--|
| <b>Colour/Monochrome</b> | Yes/Yes  |  |
| <b>TWAIN Compliant</b>   | <b>Windows</b>                                       | Windows 7 (SP1) / Windows 8.1 / Windows 10<br>Windows Server 2012 / Windows Server 2012 R2 / Windows Server 2016 / Windows Server 2019 |
| <b>WIA Compliant</b>     | <b>Windows</b>                                       | Windows 7 (SP1) / Windows 8.1 / Windows 10   |
| <b>ICA Compliant</b>     | <b>Mac</b>   | macOS v10.12.x / v10.13.x / v10.14.x <a href="#">*1</a>  |
| <b>Colour Depth</b>      | <b>Input</b>   | 48 bit colour processing   |
|                          | <b>Output</b>  | 24 bit colour processing   |
| <b>Resolution</b>        | <b>Interpolated</b>                                  | Up to 1200 x 1200 dpi  |
|                          | <b>Optical</b>                                       | Up to 600 x 600 dpi  |
| <b>Scanning Width</b>    | Up to 215.9 mm                                       |  |
| <b>Greyscale</b>         | 256 levels   |  |
| <b>Max. Speed</b>        | See your model's page on your local Brother website. |  |

\*1

For the latest macOS driver updates, visit [support.brother.com](http://support.brother.com).

### Rechargeable Li-ion Battery (DSmobile DS-940DW)

|  |  |
|--|--|
| <b>Charging Time</b>                         | 2.6 hours  |
| <b>Continuous Standby Time</b>               | 10 minutes (when the Auto Power Off feature is active) |
| <b>Scannable Number of Sheets (WLAN ON)</b>  | 200 sheets   |
| <b>Scannable Number of Sheets (WLAN OFF)</b> | 320 sheets   |



- The numbers described in the Rechargeable Li-ion Battery table may differ depending on the documents scanned and on environmental factors, such as temperature and the charging and discharging method.
- For longer battery life, turn the scanner off when you are not using it.

### Interface Specifications

|  |  |
|--|--|
| <b>USB</b>                                 | USB 3.0 <a href="#">*1</a><br>Use a USB 3.0 cable (Standard A/Micro B) or USB 2.0 interface cable (Standard A/Micro B) that is no more than 2.0 metres long. |
| <b>Memory Card</b><br>(DSmobile DS-940DW)  | microSD memory card: 2 GB - 32 GB (SDHC)   |
| <b>Wireless LAN</b><br>(DSmobile DS-940DW) | IEEE 802.11b/g/n (Infrastructure mode)<br>IEEE 802.11g (Wireless Direct)   |

\*1

Your machine has a USB 3.0 interface. The machine can also be connected to a computer that has a USB 2.0 interface.

Third-party USB ports are not supported.

### Network Specifications (DSmobile DS-940DW)

|                                  |  |
|----------------------------------|--|
| <b>Wireless Network Security</b> | WEP 64/128 bit, WPA-PSK (TKIP/AES), WPA2-PSK (AES) |
| <b>Setup Support Utility</b>     | WPS<br>WLAN Assistant                              |

### Supported Protocols and Security Features (DSmobile DS-940DW)

|                                    |   |
|------------------------------------|---|
| <b>Protocol (IPv4)</b>             | DHCP, APIPA (Auto IP), WINS/NetBIOS, DNS Resolver, mDNS, SNMPv1/v2c, ICMP, Web Services (Scan), HTTP/HTTPS server, LLNMR responder, SNTP Client |
| <b>Protocol (IPv6)</b>             | RA, DNS Resolver, mDNS, LLNMR responder, Web Services (Scan), SNTP Client, HTTP/HTTPS server, ICMPv6  |
| <b>Network Security (Wireless)</b> | SSL/TLS (HTTPS)   |
| <b>Wireless Certification</b>      | Wi-Fi Certification Mark License (WPA™/WPA2™ - Personal), Wi-Fi Protected Setup™ (WPS) Identifier Mark License                                  |